



SPECIAL High-Flow

Semi-Automatic With SELF-CLEANING TECHNOLOGY

SPECIAL High-Flow Self-Clean is an innovative filter with a patented system of cleaning composed by two different actions: brushing of the filtering cartridge and high speed discharge. This method allows an efficient and thorough cleaning both of the filtering cartridge and the filter bowl. Raw water entering **SPECIAL High-Flow Self-Clean** flows from the outside toward the inside of the filtering cartridge. The cleaning is started by rotating clockwise the upper green knob: this movement activates, at each click, the brushing system and the opening of the discharge valve which creates an high speed tangential flow which removes impurities accumulated in the filter bowl.

SPECIAL High-Flow Self-Clean head's is made in brass resistant to mechanical shear stresses due to installation which usually lead to breakage of plastic heads. The vessel, equipped with the discharge valve, is made in high-tenacity polyamide (maximum pressure 16 bar). The filtering surface is in stainless steel soldered on a stretched wire netting. The particular structure of the filtering cartridge makes it resistant to mechanical shocks and pressure gradients eliminating deformation and crushing of the filtering cartridge. **SPECIAL High-Flow Self-Clean**'s cleaning brushes are equipped with silver inserts which contrast the bacterial proliferation in the filter. **SPECIAL High-Flow Self-Clean** meets Italian requirements for drinking water treatment. The standard filtration rating of **SPECIAL High-Flow Self-Clean** is 89 microns; other filtration ratings (30, 50, 150 microns) are available upon request.

SPECIAL High-Flow Self-Clean with 1½" and 2" connections are equipped with two pressure gauges to monitor pressure drop through the filtering cartridge enabling one to easily determine the degree of clogging.



*SP HF 4: 12 m³/h
SP HF 5: 16 m³/h*

*SP HF 1: 4.8 m³/h
SP HF 2: 6.0 m³/h
SP HF 3: 6.5 m³/h*

Key features

- Patented cleaning system brushing + drainage
- Connections from ¾" to 2"
- No need of cartridge replacing
- Resistance to high pressure and hot water
- Stainless steel cartridge
- Silver wires inside the brushes
- Entirely made with the best materials

SPECIAL High-Flow

Semi-Automatic Self-Cleaning Technology



Technical Data, Installation and Cleaning

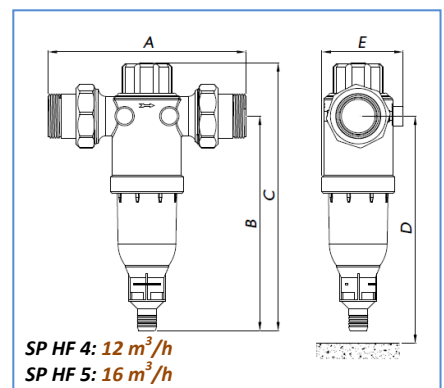
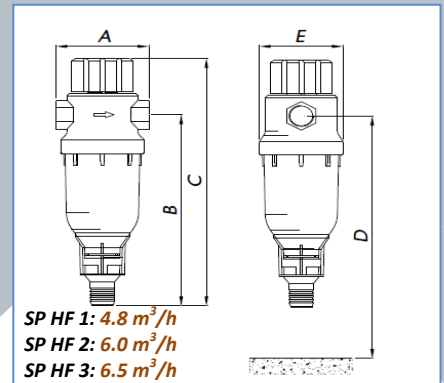
Cleaning filter **SPECIAL High-Flow Self-Clean** – (specify the model) – is suitable for filtering water, eliminating suspended particles, such as: sand, silt, metal particles, etc. up to 89 microns rating. The filter is suitable to protect domestic supplies, hydro- thermo-sanitary plants and equipments in general. Thanks to its patented cleaning system brushing + discharge, **SPECIAL High-Flow Self-Clean** guarantees an effectiveness well cleaning of filtering cartridge, as well as the discharge of impurities suspended in water. The presence of silver threads within the system cleaning ensures the maintenance of conditions that impede bacterial and algal proliferation inside the vase. Suitable for drinkable water filtration.

Performance and Technical Data:

Model: SP		HF1	HF2	HF3	HF4	HF5
Connections	inches	¾"F	1"F	1¼"F	1½"M	2"M
Nominal Flow rate	m3/h	4.8	6.0	6.5	12.0	16.0
ΔP (Nominal flow rate)	bar	0.2	0.2	0.2	0.2	0.2
Std. Filtration Rating	µm	89	89	89	89	89
Min. Working Pressure	bar	1.5	1.5	1.5	1.5	1.5
Max. Working Pressure	bar	16	16	16	16	16
Min/Max. Water Temp.	°C	5/30				
Water consumption for cleaning	L	6 (@ 3 bar)				
Head Material		Brass				
Bowl Material		Trogamid				
Cartridge Material		Stainless Steel AISI 304				
Brushes Material		Nylon Silver				

Dimension:

Model: SP		HF1	HF2	HF3	HF4	HF5
WIDTH (A)	mm	100	100	100	251	265
CONNECTION HEIGHT (B)	mm	237	237	242	292	292
TOTAL HEIGHT (C)	mm	312	312	313	364	364
MINIMUM HEIGHT FROM GROUND (D)	mm	400	400	400	600	600
DEPTH (E)	mm	90	90	90	120	120



Cleaning:



The cleaning is activated by a clockwise rotation (manually operated) of the green knob. Each turn of the knob carries out the complete polishing of cartridge surface and, at the same time, the drainage of dirt, through the bottom valve opening.

Each turn brushing and discharge



Filtering cartridge in stainless steel AISI 304, with double o-ring sealing.



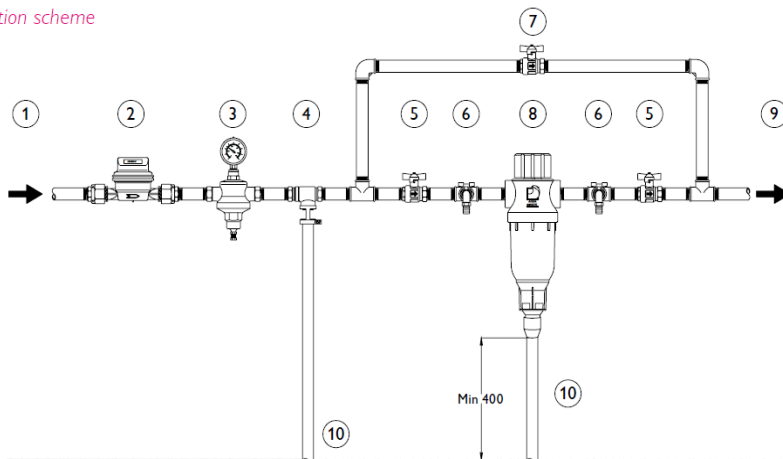
Brushes are formed by nylon bristles with a silver wire ensuring bacteriostatic conditions inside bowl.



It is available as accessory a green key to open and disassemble the filter.

Installation:

Installation scheme



Legend: 1. Cold water inlet; 2. Inlet water meter; 3. Pressure reducer; 4. Backflow prevention device; 5. Zone valves; 6. Sampling taps; 7. By-pass valve; 8. SPECIAL High-Flow filter; 9. Treated water outlet; 10. Discharge.

Distributed by:

Rebecca Filter® GmbH
 A Filter Company

Address: Fahrlachstraße 14
 Mannheim
 D-68165
 Germany
Tel: +49 621 87951-70
Fax: +49 621 87951-77

URL: <http://www.rebeccafilter.com>
Email: info@rebeccafilter.com