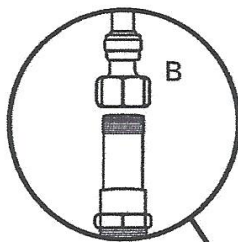
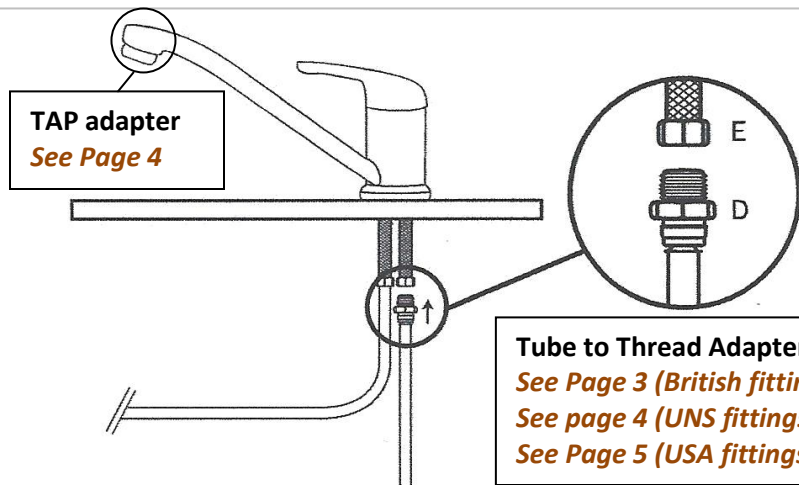


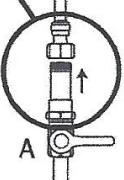
John Guest Fittings for SPECIAL Quick Change Filters

Model: SP 510, SP110, SP 520, SP 120, UF

- A. Cold Mains Water Isolation Outlet.
- B. Female 1/2" thread to 3/8" push in fitting
- C. 3/8" tubing
- D. 3/8" push in fitting to male 1/2" thread fitting
- E. Cold Water Flexible Line To Cold Tap Outlet.



Tube to Tube/Thread Adapter
 See Page 3 (British fittings)
 See page 4 (UNS fittings)
 See Page 5 (USA fittings)
 See Page 6 (Valves)



Stem to Tube/Thread Adapter
 See Page 2 (British fittings)
 See Page 5 (USA fittings)

Contents	Page No
1. Installation Diagram	Page 1
2. Stem to Tube adapters	Page 2
3. British: Stem to thread Male adapters	Page 3
4. British: Tube to thread Male adapters	Page 3
5. British: Tube to thread Female Adapters	Page 4
6. UNS: Tube to thread Female Adapters	Page 4
7. TAP Adapters (British & UNS fittings)	Page 4
8. USA: Stem to thread Male adapters	Page 5
9. USA: Tube to Thread Male adapters	Page 5
10. USA: Tube to Thread Female adapters	Page 5
11. Angle stop valves	Page 6
12. Stop valves	Page 6

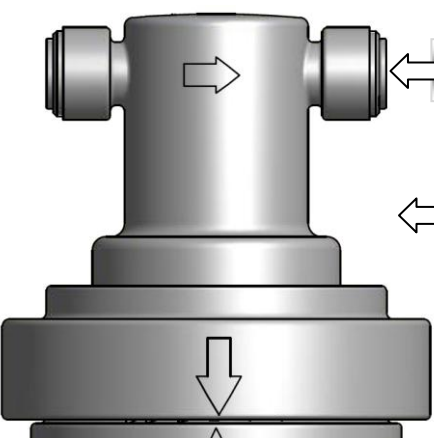
All connections are available in a package of 10 pieces of each type.

Color Legend

- Common dimension fittings
- British fittings (BSP, BSW)
- USA fittings (NPTF, FLARE)
- UNS fittings

All connections are available in a package of 10 pieces of each type.

Tube Connection: Stem (3/8") to Tube Adapter



Default Tube Outer Diameter: 3/8" (9.5 mm)

Stem Reducer		
Model	Tube Diameter	Price/piece
PI061206S	3/16" (4.60 mm)	1.25 €
PI061208S	1/4" (6.35 mm)	1.54 €
PI061210S	5/16" (8.00 mm)	1.54 €

Stem Reducer (Elbow)		
Model	Tube Diameter	Price/piece
PI221206S	3/16" (4.60 mm)	2.63 €
PI221208S	1/4" (6.35 mm)	2.66 €
PI221210S	5/16" (8.00 mm)	1.95 €

Stem Expander		
Model	Tube Diameter	price/piece
PI131216S	1/2" (12.70 mm)	1.60 €

Target Tubing

Ø 3/16"

Ø 1/4"

Ø 5/16"

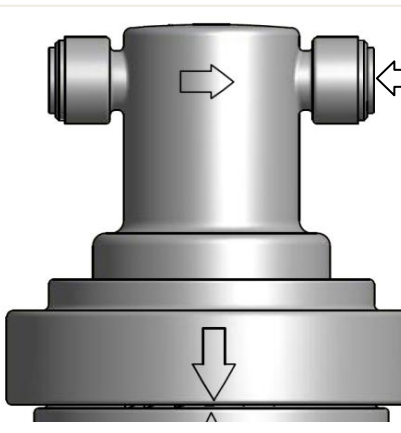
Ø 3/16"

Ø 1/4"

Ø 5/16"

Ø 1/2"

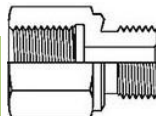
Stem Adapters: Stem (3/8") to Thread Male Adapter



Cross Threading		
Model	Ø Thread BSTP	Price/piece
PI051202S	1/4" (6.35 mm)	1.10 €
PI051203S	3/8" (9.50 mm)	1.32 €

Parallel Threading		
Model	Ø Thread BSP	Price/piece
PI051212S	1/4" (6.35 mm)	1.12 €
PI051213S	3/8" (9.50 mm)	1.13 €

British Nippel connection		
Model	Ø Thread BSW	Price/piece
PI0512E5S	1/2" - 24	1.15 €
PI0512E6S	9/16" - 24	1.15 €

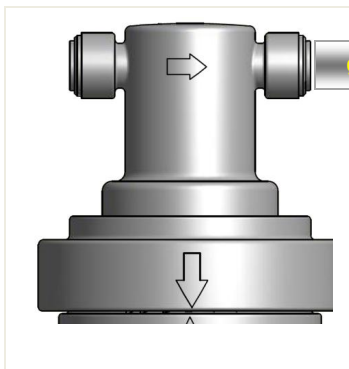


All connections are available in a package of 10 pieces of each type.

Color Legend

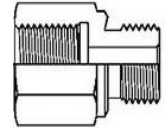
- Common dimension fittings
- British fittings (BSP, BSW)
- USA fittings (NPTF, FLARE)
- UNS fittings

Male Adapters: Tube (3/8") to Threaded Connections



Cross Threading

Model	Ø Thread BSPT	Price/piece
PI011202S	1/4" (6.35 mm)	1.15 €
PI011203S	3/8" (9.50 mm)	1.15 €



Parallel Threading

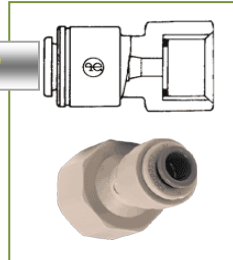
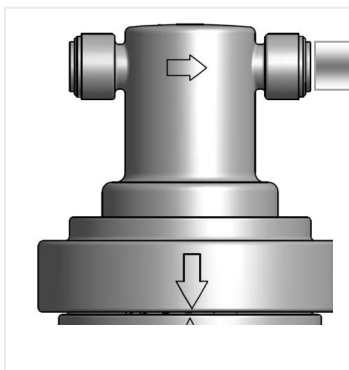
Model	Ø Thread BSP	Price/piece
PI011212S	1/4" (6.35 mm)	1.95 €
PI011213S	3/8" (9.50 mm)	1.68 €



British "Nippel" connection

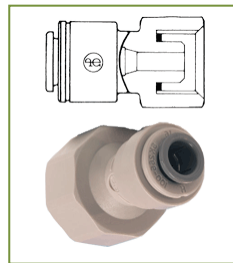
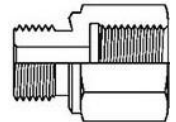
Model	Ø Thread BSW	Price/piece
PI0112E5S	1/2" - 24	1.77 €
PI0112E6S	9/16" - 24	2.00 €

Female Adapters: Tube (3/8") to Threaded Connections



Parallel Threading (FLAT END)

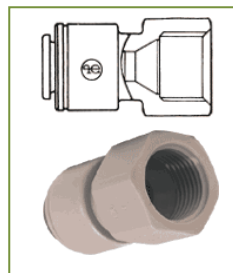
Model	Ø Thread BSP	Price/piece
PI451213S	3/8" (9.50 mm)	3.14 €
PI451214FS	1/2" (12.70 mm)	3.24 €
PI451215FS	5/8" (15.90 mm)	3.50 €



Parallel Threading (Cone-End)

Model	Ø Thread BSP	Price/piece
NCPI451214CS*	1/2" (12.70 mm)	2.95 €
PI451214CS	1/2" (12.70 mm)	3.27 €
PI451215CS	5/8" (15.90 mm)	3.52 €

*Small Cone-End



British "Nippel" Connection

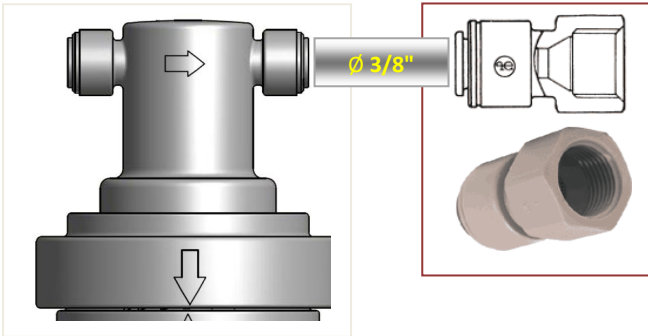
Model	Ø Thread BSW	Price/piece
PI4512E6S	9/16" - 24	2.00 €

All connections are available in a package of 10 pieces of each type.

Color Legend

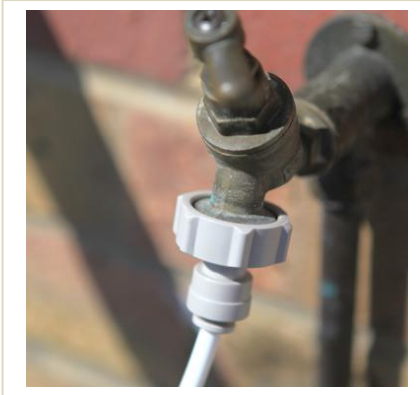
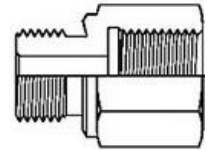
- Common dimension fittings
- British fittings (BSP, BSW)
- USA fittings (NPTF, FLARE)
- UNS fittings

Female Adapters: Tube (3/8") to Threaded Connections



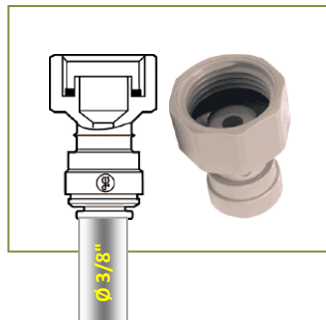
UNS Thread

Model	Ø Thread UNS	Price/piece
PI4512C5S	1/2" - 16	3.13 €



Tap Adapter

Female Adapters: Tube (3/8") to Threaded Connections



Tap Adapter

(Parallel thread)

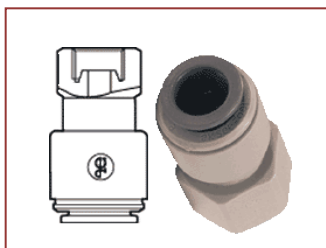
Model	Ø Thread BSP	Price/piece
CI321214S	1/2" (6.35 mm)	2.22 €
CI321216S	3/4" (6.35 mm)	2.40 €



Tap Adapter (Flat-End)

(Parallel thread)

Model	Ø Thread BSP	Price/piece
CI321216FS	3/4" (6.35 mm)	2.31 €



Tap Adapter (UNS)

Model	Ø Thread UNS	Price/piece
CI32112U7S	7/16" - 24	2.22 €

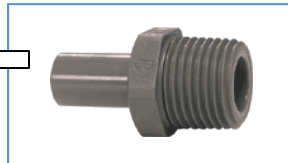
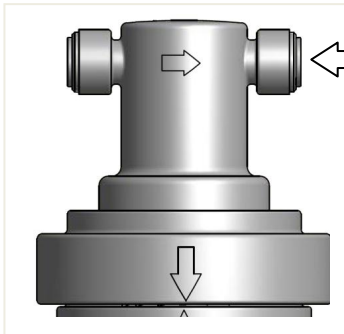
All connections are available in a package of 10 pieces of each type.

Color Legend

- Common dimension fittings
- British fittings (BSP, BSW)
- USA fittings (NPTF, FLARE)
- UNS fittings

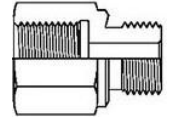
USA Connections

Stem Adapters: Stem (3/8") to Thread Male Adapter

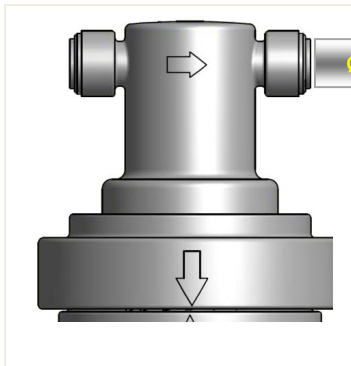


NPTF Threading USA

Model	Ø Thread NPTF	Price/piece
PI051222S	1/4" (6.35 mm)	0.95 €
PI051223S	3/8" (9.50 mm)	1.07 €

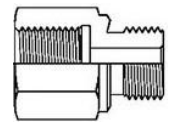


Male Adapters: Tube (3/8") to Threaded Connections



USA "Flare" Thread

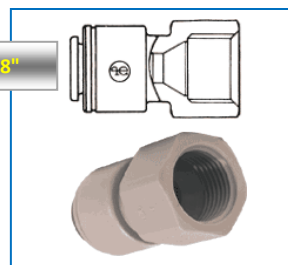
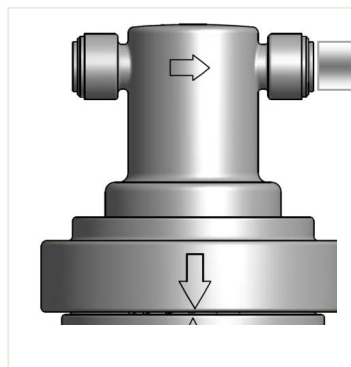
Model	Ø Thread MFL	Price/piece
PI0112F4S	1/4" (6.35 mm)	1.41 €
PI0112F5S	5/16" (8.00 mm)	2.67 €
PI0112F6S	3/8" (9.50 mm)	1.87 €
PI0112F8S	1/2" (12.70 mm)	2.66 €



USA "NPTF" Thread

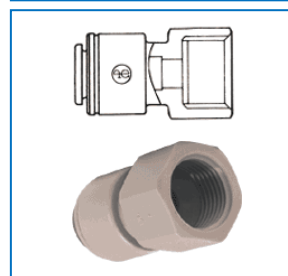
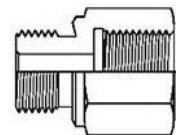
Model	Ø Thread NPTF	Price/piece
PI011221S	1/8" (3.175 mm)	1.71 €
PI011222S	1/4" (6.35 mm)	1.82 €
PI011223S	3/8" (9.50 mm)	1.87 €
PI011224S	1/2" (12.70 mm)	2.72 €

Female Adapters: Tube (3/8") to Threaded Connections



USA "Flare" Thread

Model	Ø Thread FFL	Price/piece
PI4512F4S	1/4" (6.35 mm)	1.93 €
PI4512F6S	3/8" (9.50 mm)	2.22 €



USA "NPTF" Thread

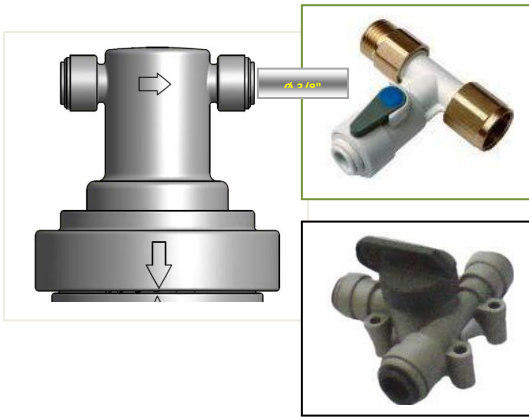
Model	Ø Thread NPTF	Price/piece
PI451222S	1/4" (6.35 mm)	2.13 €

All connections are available in a package of 10 pieces of each type.

Color Legend

Common dimension fittings
British fittings (BSP, BSW)
USA fittings (NPTF, FLARE)
UNS fittings

Acetal Angle Stop Valve (to integrate in your existing piping)

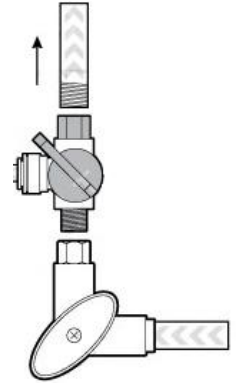


Angle Stop Valve (BSP Thread)

Model	Ø Thread (BSP)	Ø Thread (BSP)	Price/piece
ASV7	3/8" (9.50 mm)	3/8" (9.50 mm)	16.6 €
ASV8	1/2" (12.7 mm)	1/2" (12.7 mm)	16.6 €

Angle Valve with clip

Model	Tube Diameter (all)	Price/piece
NC2555	3/8" (9.50 mm)	7.40 €



Stop Valves



Stop Valve with mounting clip (Grey)

Tube to Tube

Model	Tube Diameter	Price/piece
PISV04KIT	3/8" (9.50 mm)	13.34 €



Stop Valve

Tube to Tube

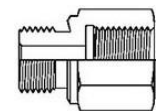
Model	Tube Diameter	Price/piece
PPSV041212W	3/8" (9.50 mm)	5.34 €



Stop Valve with clip (Elbow)

Tube to Thread (BSP)

Model	Ø Thread (BSP)	Price/piece
PISVBTC1214	1/2" (12.7 mm)	5.83 €



Dear Customers,

If you can't find the match to your required fittings in this booklet please inform us. There are other solution possibilities that could be discussed upon query.

Please contact us directly for more information on Filters and Fittings.