

Multi-functional Cooling Water Treatment for FILTERSORB® SP3 Water Systems

**Product Name** INSTANT I-SOFT® NB (Based on PAA/DBNPA)

**(Non-oxidizing Biocide)**

**Application** Cooling water, Air Conditioners and Heat exchangers

**Brief description** Multi-functional **scale** and **corrosion inhibitor** with **dispersant** and **non-oxidizing biocide**. Perfect for water containing very high sulfates and silica. It contains **biodegradable** tolyltriazole as corrosion inhibitor.

**Availability** **INSTANT POWDER** is available in 5 kg bags. One 5 kg bag is equivalent to 100 kg of competitive or conventional products.

**Description** **INSTANT I-SOFT® NB** is a very high performance product formulated without any Phosphates and Phosphonates (click here for literature on Eutrophication). **INSTANT I-SOFT® NB** prevents any scale and corrosion problems. It is formulated with one of the best fast acting non-oxidizing biocide available in the water treatment industry. This biocide has outstanding environmental properties because it is non-persistent and degradable to naturally occurring products. **INSTANT I-SOFT® NB** uses most advanced polymer anti-scalant and dispersant and tolyltriazole as corrosion inhibitor. All cooling towers and heat exchangers need very little dosage of **INSTANT I-SOFT® NB** and the maximum protection of the systems.

**Product application Feed rate/Dosing**

**INSTANT I-SOFT® NB** is generally dosed at the rate of 50 ml/m<sup>3</sup> of feed water to prevent silica and sulfate scale. **INSTANT I-SOFT® NB** has shown best results and no scale up to 300 mg/l (ppm) of silica in feed water. To protect inner wall of pipes made of copper or other metals from corrosion, it contains tolyltriazole. No extra biocide is required as **INSTANT I-SOFT® NB** contains very powerful non-oxidizing biocide which is 100% **biodegradable**.

**Testing and Control**

### Dosage in Cooling waters Open Loop

Dosing in feed water	Test in circulation water	pH	SiO <sub>2</sub>	Tolyltriazole
ml/m <sup>3</sup>	ml	min-max	mg	mg
50	20 - 40	8 - 8.5	300	5
25	10 - 25	8 - 8.5	200	5

### Dosage in Cooling water, Heat exchangers Closed Loop

Dosing in feed water	Test in circulation water	pH	SiO <sub>2</sub>	Tolyltriazole
ml/m <sup>3</sup>	ml	min-max	mg	mg
50	20 - 40	8 - 8.5	300	3 - 5

- **Test kits for pH, SiO<sub>2</sub> and Tolyltriazole are available from WATCH® distributors**

## Feeding

**INSTANT I-SOFT<sup>®</sup> NB** dosing powder should be dissolved and dosed with WATCH<sup>®</sup> Watch-DOS dosing systems.

**Important:** When **INSTANT I-SOFT<sup>®</sup> NB** is dosed into cooling water or heat exchangers, operators should attempt to find a high flow area in the sump of the cooling tower or inside the feed water line.

## Very Important for operators:

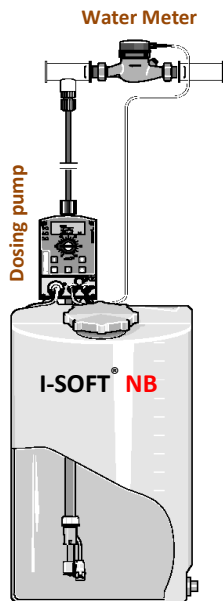
Although **INSTANT I-SOFT<sup>®</sup> NB** is formulated with tolyltriazole to protect copper corrosion, they react with **cheap oxidizing halogens** such as chlorine and bromine. Their hypochlorous acids or alkaline solutions (i.e solutions of hypochlorite or hypobromite ions). The presence of such halogens leads to very aggressive copper corrosion rates. Having copper salt in water is a big environmental concern. Soluble copper is very toxic and needs to be properly controlled in any discharge stream. Every cooling water system should immediately stop dosing chlorine or bromine.

WATCH<sup>®</sup> has a fundamental concern for all who distribute and its products and the environment in which we live.

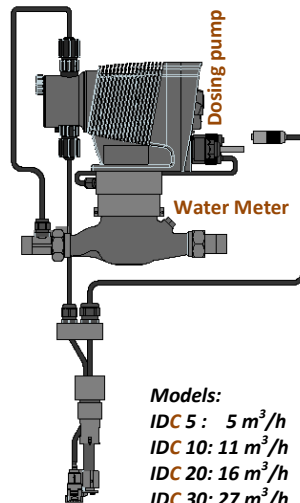
## Packaging & Storage

**INSTANT I-SOFT<sup>®</sup> NB** is packed 4 x 5 kg Bags in a Box.  
Other packaging could be available on request.

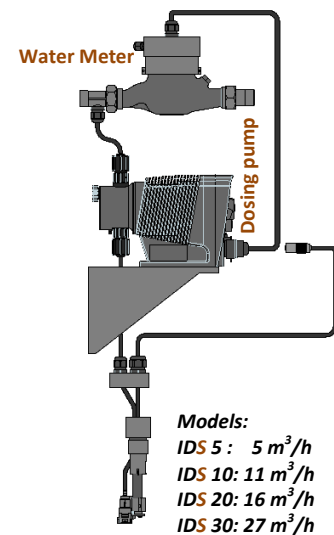
## Proportional Dosing Unit for INSTANT Products



Watch-DOS proportional dosing unit



Watch-DOS COMPACT Version



Watch-DOS SPLIT Version